

GASTON

NBKP-1008 BNC



SINGLE HOLE LAVATORY FAUCET INSTALLATION INSTRUCTIONS

THANK YOU FOR CHOOSING NELLA™

Welcome to the Nella™ family. We are confident Nella's™ superior quality, design and aesthetic will enhance your bathroom experience for many years to come. If you have any questions regarding your Nella products please contact your local sales representative or visit our website www.nellabath.com for customer support and service information.

Thank you again,
NELLA™

PRIOR TO INSTALLATION

Prior to installation please be sure to review all installation instructions with a licensed or qualified plumbing technician who is familiar with all local plumbing and building codes in your jurisdiction.

PRODUCT FEATURES AND DESCRIPTION

FEATURES

- Single Hole Lavatory Faucet
- One-Piece, self contained ceramic disc valve
- High Temperature limit setting for added safety
- Single-Hole mounting
- Low spout design
- Stationary Spout
- 1.5 gallons (5.7 liters) per minute maximum flow rate / CALGreen Compliant



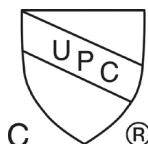
INCLUDED COMPONENTS

- Solid brass lavatory faucet
- Hot and Cold braided steel supply hoses

CODES AND STANDARDS

Meets or exceeds:

- ASME A112.18.1 / CSA B125.1
- ICC/ANSI A117.1
- NSF 61
- cUPC
- AB 1953
- CALGreen



CALGreen



IMPORTANT - PRIOR TO INSTALLATION

Before you begin please be sure to review the steps below to ensure preferred installation results.

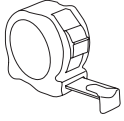
1. Unpack your new NELLA™ product and confirm it is the correct model ordered and inspect the product for damage. Please keep product in its original packaging until you are ready for installation.
2. Confirm that all walls are plumb and all mounting/installation surfaces are level.
3. Shut off existing water supply.
4. Confirm that your plumbing technician has the proper/recommended tools for proper installation.

GASTON

NBKP-1008 BNC



SINGLE HOLE LAVATORY FAUCET INSTALLATION INSTRUCTIONS



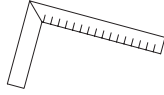
Tape Measure



Pencil



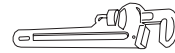
Ruler



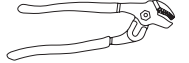
Square



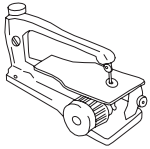
Level



Pipe Wrench



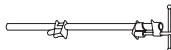
Channel Locks



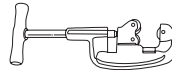
Scroll Saw



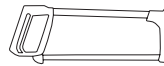
Adjustable Wrench



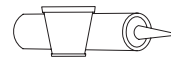
Pipe Clamp



Pipe Cutter



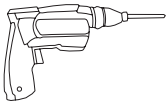
Hacksaw



Plumber's Putty or
Caulking



Putty Knife



Drill

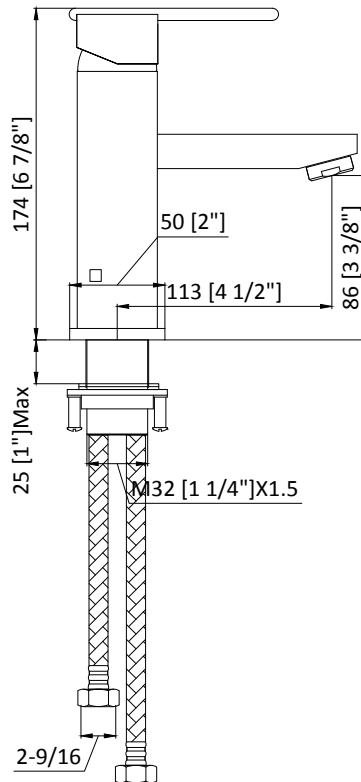


Phillips
Screwdriver



Flathead
Screwdriver

ROUGH-IN DIMENSIONS



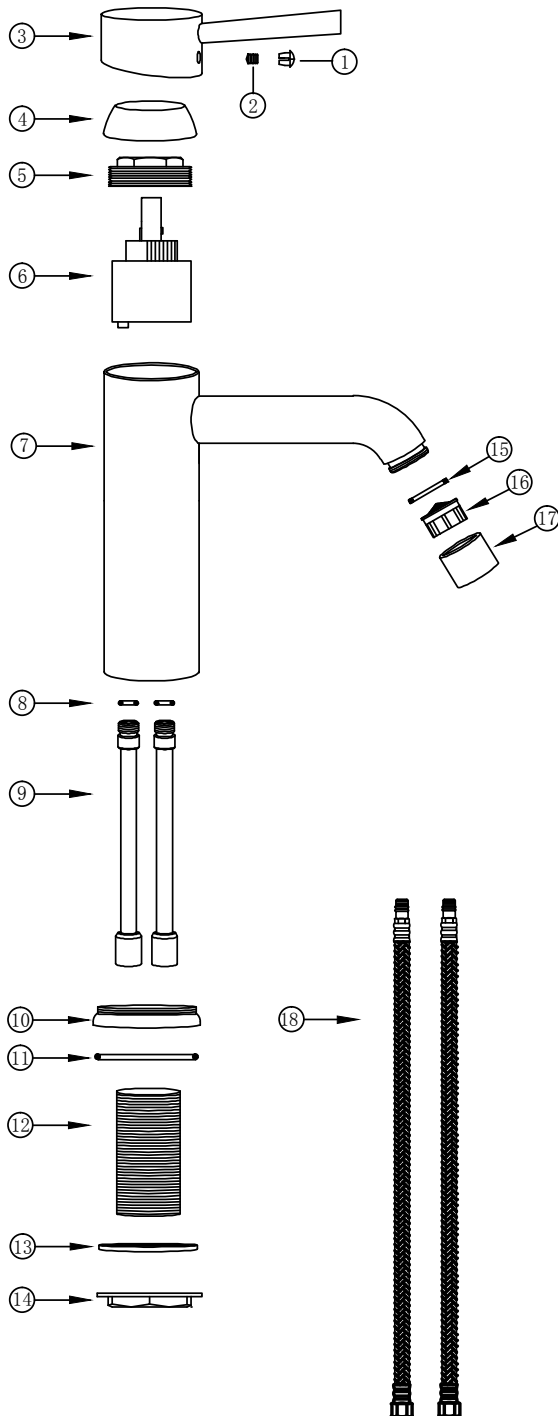
GASTON

NBKP-1008 BNC



SINGLE HOLE LAVATORY FAUCET INSTALLATION INSTRUCTIONS

ILLUSTRATED PARTS LIST



- 1.Button
- 2.Screw
- 3.Handle
- 4.Cap
- 5.Retainer Nut
- 6.Ceramic Disc Cartridge
- 7.Spout Assembly
- 8.O-ring
- 9. Copper Waterways
- 10.Spout Seat
- 11.O-ring
- 12.Mounting Pipe
- 13.Gasket
- 14.Locknut
- 15.Gasket
- 16.Aerator
- 17.Aerator cover
- 18.Water supply hoses

GASTON

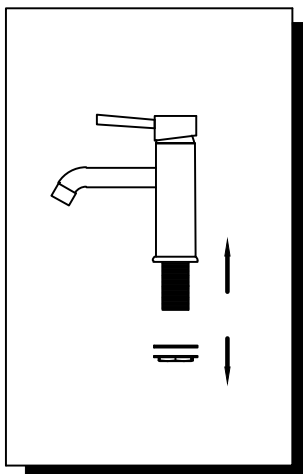
NBKP-1008 BNC



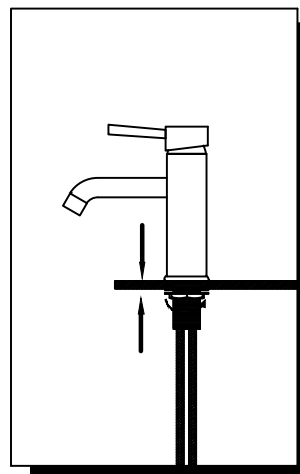
SINGLE HOLE LAVATORY FAUCET INSTALLATION INSTRUCTIONS

INSTALLATION INSTRUCTIONS

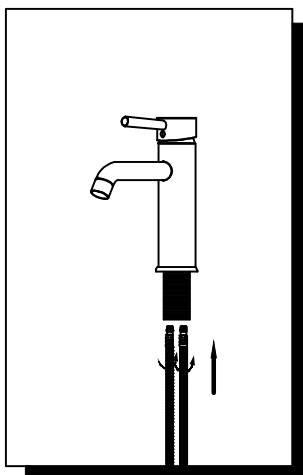
1. Remove the lock nut (14) from the faucet assembly.



4. Place the mounting pipe/shank (12) in the desired counter-top location.

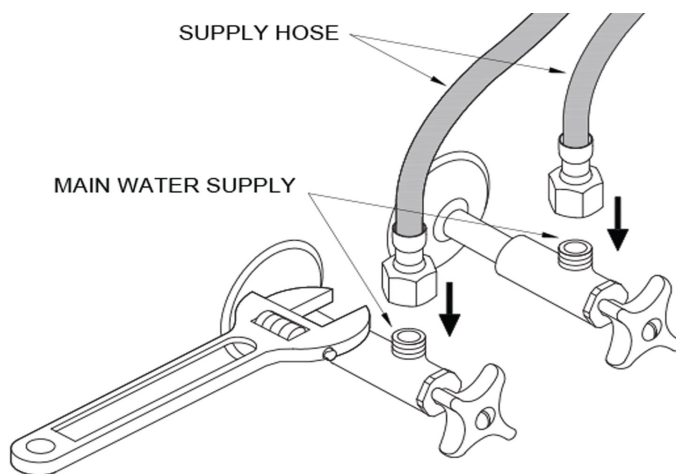


2. Screw the Hot and Cold supply hoses (18) to the copper waterways/ inlets (9).



5. Once in place, proceed to attach gasket (13) and finally, re-attach the lock nut. Be sure to tighten lock nut into place so faucet stands securely on its own.

6. Connect supply hoses to main water supply and fasten tightly.



3. Be sure the faucet body, spout seat (10), and o-ring (11) securely fastened together.